

SAR2 ■ Swing Arm Wall Mount 26"-60"



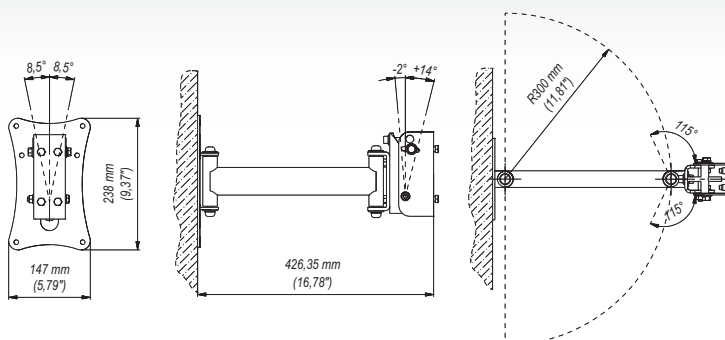
Features

- 1 **ADJUSTABLE TILT ANGLE**
variable from -2° to $+14^{\circ}$
- 2 **MAXIMUM LOAD CAPACITY:**
80 Kg
- 3 **ADJUSTABLE POSITION**
2 axes of rotation



Technical Data

100x100 mm 200x100 mm 200x200 mm 300x300 mm 400x200 mm 400x400 mm 600x400 mm 800x200 mm 800x400 mm	115°/115°	26"-60"	max. 426,35 mm
-2° to $+14^{\circ}$	80 Kg	$-8,5^{\circ}$ to $+8,5^{\circ}$	
			min. 50x75 mm max. 850x460 mm



Accessories

LWB1/PWB1/TWB1



Trade Information

Index	Colour	Package	EAN
SAR2c-B	■	■	5908252961085
SAR2s-B	■	■	5908252961115

Package Dimensions [mm] (H x W x D)	500x245x65
Weight [Kg]	3,5